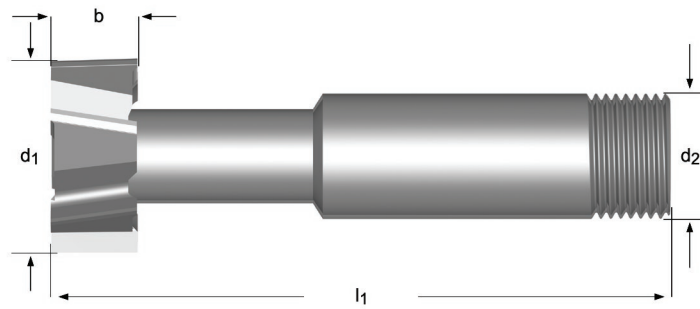


C810

DORMER

- T-slot Cutters
- T-Nutenfräser
- T-gleuffrezen
- Fraises pour rainures en T
- Fresas de ranurar en "T"
- Fresa p/ Abrir Rasgos T



C810



- 1.1 1.2 1.3 1.4 2.1 3.1 3.2 3.3 3.4 4.1 5.1 6.1 6.2 6.3 6.4 7.1 7.2 7.3
- 1.5 1.6 2.2 2.3 4.2 4.3 5.2 5.3 7.4 8.1 10.1

d ₁ Ø mm	b	d ₁ Ø Inch /	T DIN650	l ₁ mm	l ₂ mm	d ₂ Ø mm	z	e-Code
12,50	6,00		6,0	57,0	11	10,0	6	C8106.0
14,68	6,35	37/64 x 1/4	1/4	60,5	14	12,7 - 1/2	6	C8101/4
16,00	8,00		8,0	61,0	13	10,0	6	C8108.0
17,86	7,94	45/64 x 5/16	5/16	65,0	17	12,7 - 1/2	6	C8105/16
18,00	8,00		10,0	65,0	17	12,0	6	C81010.0
21,00	9,00		12,0	69,0	20	12,0	6	C81012.0
21,03	9,13	53/64 x 23/64	3/8	68,5	19	12,7 - 1/2	6	C8103/8
24,21	10,72	61/64 x 27/64	7/16	73,0	22	12,7 - 1/2	6	C8107/16
25,00	11,00		14,0	79,0	23	16,0	6	C81014.0
27,38	11,91	1.5/64 x 15/32	1/2	76,0	24	12,7 - 1/2	6	C8101/2
28,00	12,00		16,0	76,0	23	16,0	6	C81016.0
33,73	14,68	1.21/64 x 37/64	5/8	101,5	30	25,4 - 1.	8	C8105/8
32,00	14,00		18,0	98,0	27	25,0	8	C81018.0
36,00	16,00		20,0	100,0	30	25,0	8	C81020.0
38,50	17,46	1.33/64 x 11/16	3/4	109,5	35	25,4 - 1.	8	C8103/4
40,00	18,00		22,0	108,0	33	25,0	8	C81022.0
43,26	20,24	1.45/64 x 51/64	7/8	117,5	40	25,4 - 1.	8	C8107/8
49,61	23,02	1.61/64 x 29/32	1.	127,0	47	25,4 - 1.	8	C8101